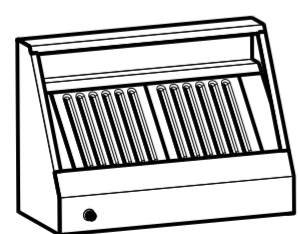
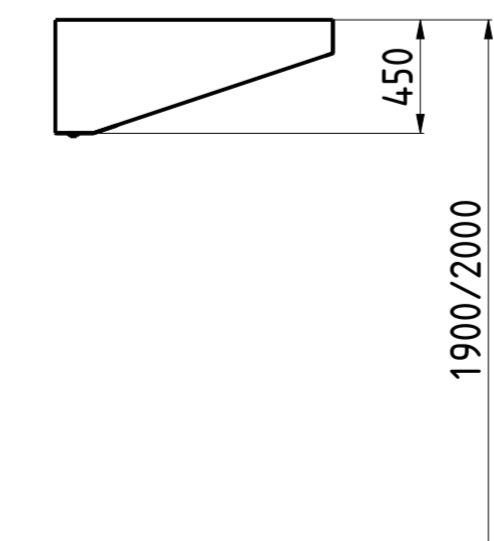
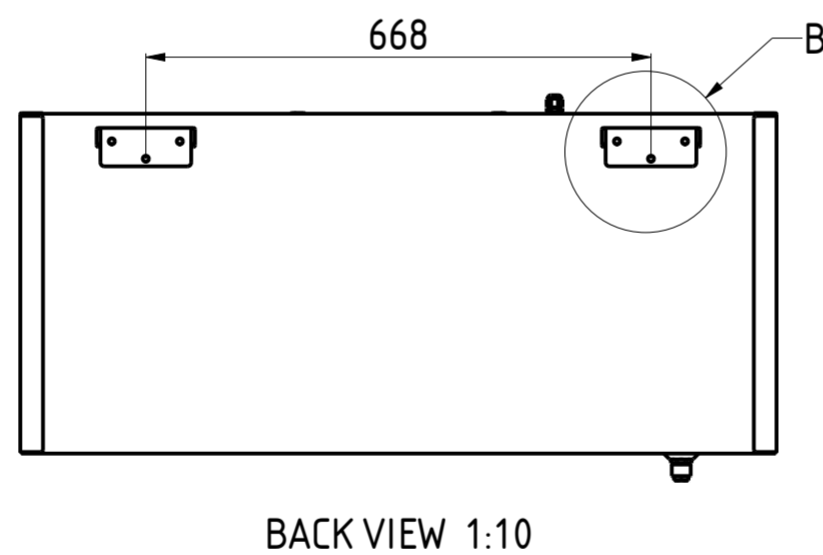
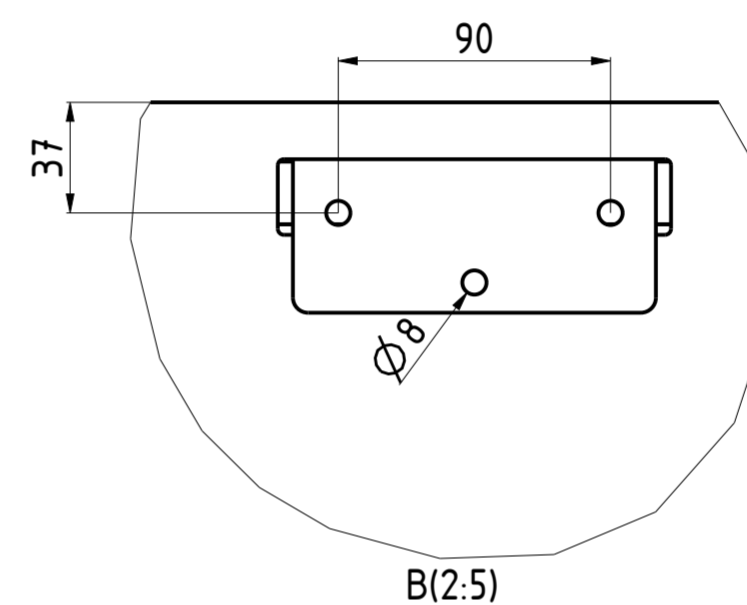
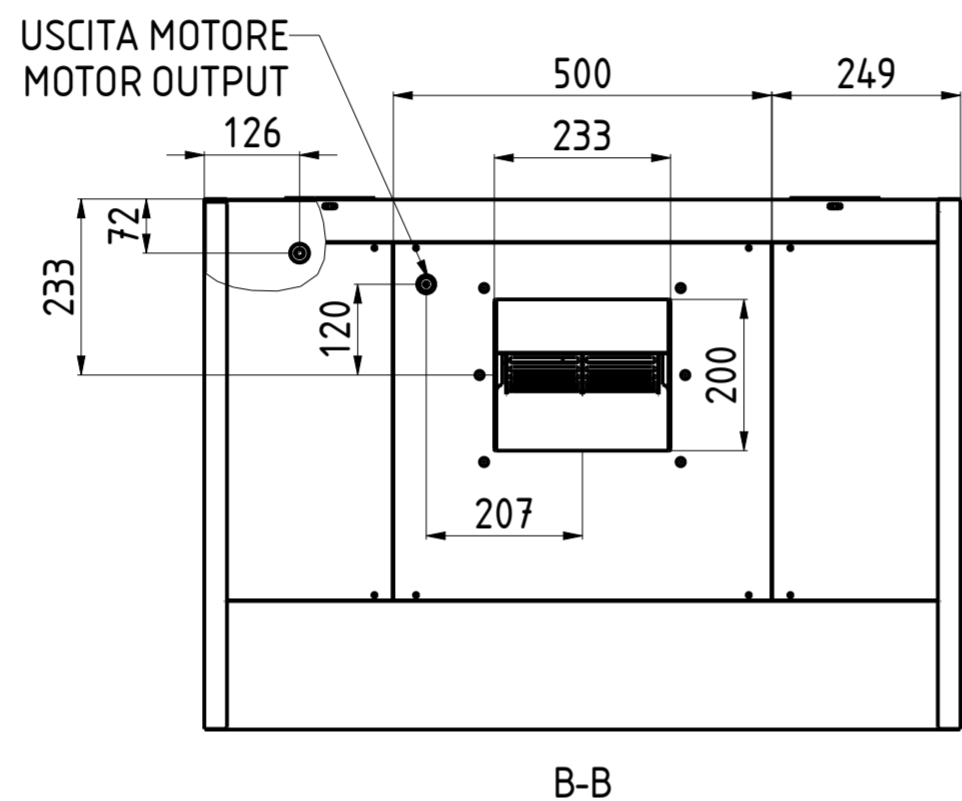
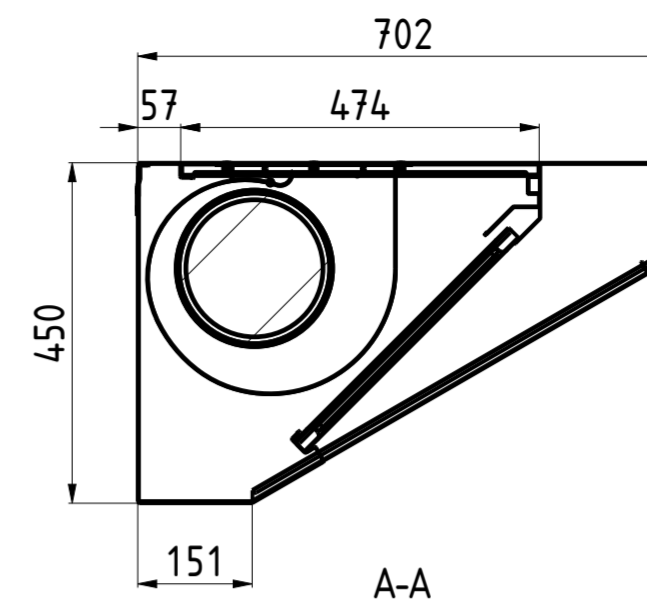
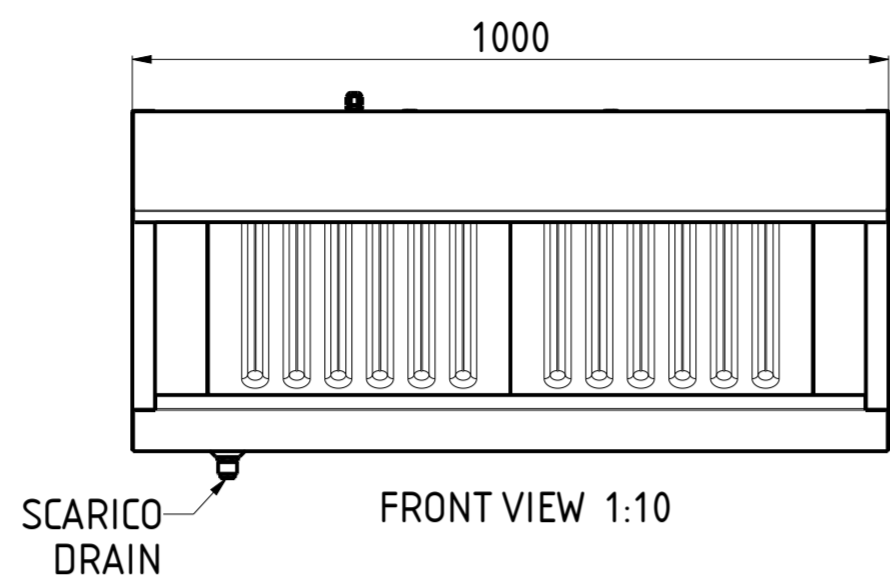


# CHSN07L100MF



NR. LUCI NR. LIGHTS	PORTATA FLOW RATE	HST mmH <sub>2</sub> O	WATT	SDR	PESO (Kg) WEIGHT (Kg)
3	880	25	147	7/7	45

DATA DATE	MODIF. N. MODIF. NO.	DESCRIZIONE MODIFICHE MODIFICATION DESCRIPTION	DISEGNATO DRAWN BY	APPROVATO APPROVED
MODELLO CAPP A SNACK CON MOTORE 7/10 MODEL SNACK HOOD WITH MOTOR 7/10				SCALA SCALE -
PARTICOLARE SCHEDA TECNICA DETAIL DATA SHEET				DATA DATE -
MATERIALE MATERIAL AISI 304 - AISI 430	SPES. THICK. -			SHEET 2 OF 3
FINITURA FINISH	PEZZI N. PIECES NO.			ULTIMA EMISS. LAST EDITION
TRATTAMENTO TREATMENT	COLORE COLOUR			

ELABORATO CON SISTEMA CAD  
 DESIGNED BY CAD/STEM  
 QUOTA PRIMARIA  
 PRIMARY DIMENSION  
 XX  
 ANGOLI  
 Angles  
 ±0°30'  
 TOLLERANCE UNLESS OTHERWISE STATED  
 QUOTE SENZA TOLLERANZA  
 TOLERANCE UNLESS OTHERWISE STATED  
 >500 ±0.75  
 400-500 ±0.65  
 315-400 ±0.60  
 250-315 ±0.55  
 180-250 ±0.50  
 120-180 ±0.45  
 80-120 ±0.40  
 50-80 ±0.35  
 30-50 ±0.30  
 18-30 ±0.25  
 10-18 ±0.20  
 5-10 ±0.15  
 0-5 ±0.10  
 LUNGH. E DIAM.  
 LENGTH AND DIAM.  
 FORM.A-2